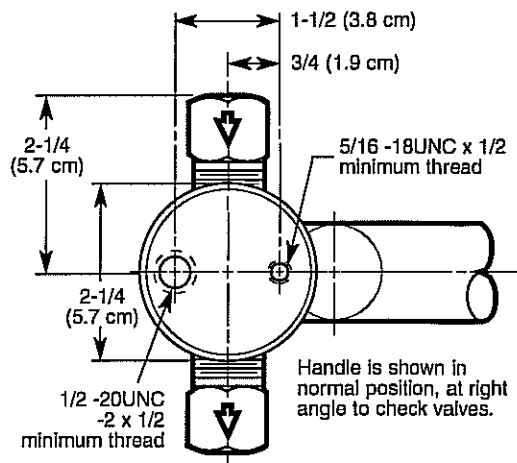


This cross sectioned view typical for -35 through -100 assemblies.



INSTALLATION

The pump has two threaded mounting holes provided on the underside of the liquid body.
For maximum performance, the -35, -60, and -100 pumps may be installed below or no more than two feet above the liquid source. The -150, -200 and -300 pumps must be installed with the pump inlet below the liquid source.

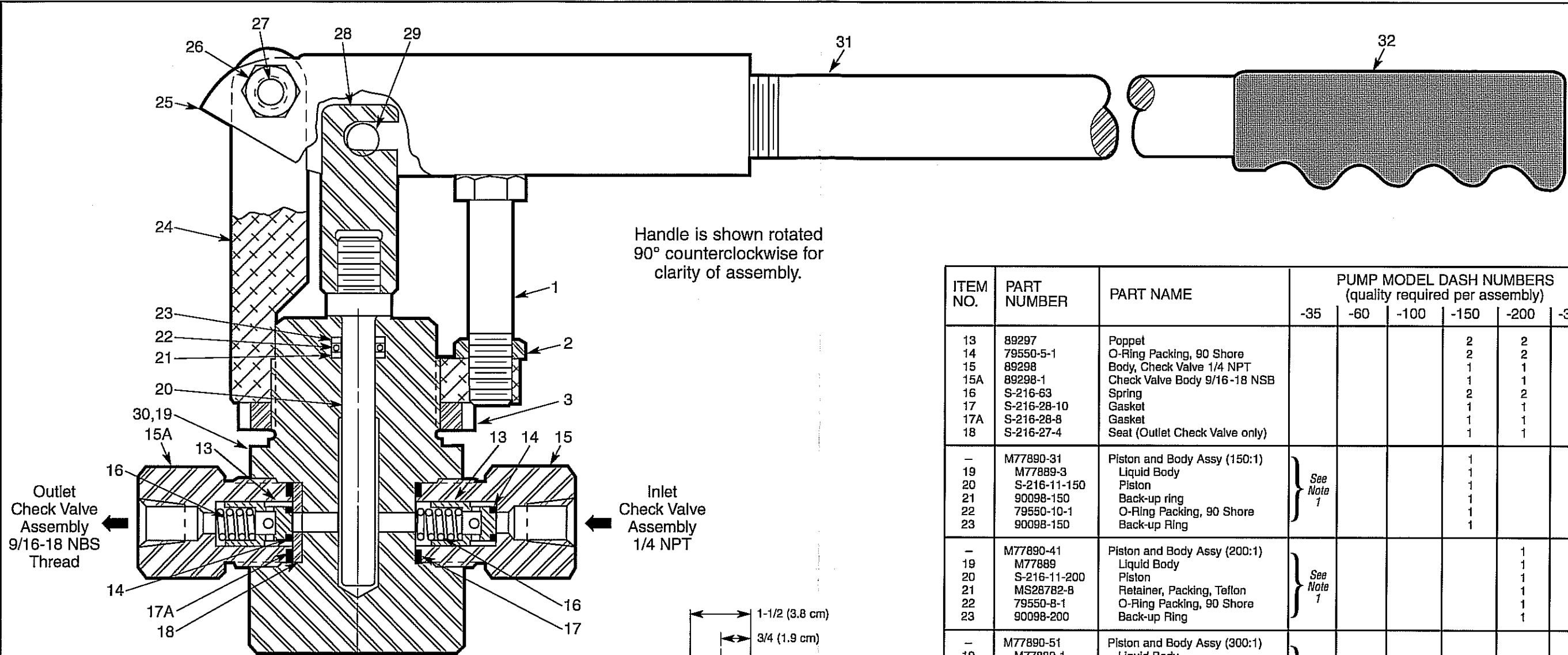
NOTES:

1. Seal materials listed in the Parts List are Nitrile. Other seal materials, Neoprene, Viton and EPDM are available. Specify seal material desired when ordering.
2. Overhaul Kits contain replacement parts including back-up rings, o-rings, gaskets, springs and seats.
S-525-35.....90680-A1 kit
S-525-60.....90680-B1 kit
S-525-100.....90680-C1 kit
S-525-150.....90680-D1001 kit
S-525-200.....90680-E1 kit
S-525-300.....90680-F1 kit

ITEM NO.	PART NUMBER	PART NAME	PUMP MODEL DASH NUMBERS (quality required per assembly)					
			-35	-60	-100	-150	-200	-300
	S-525-35 S-525-60 S-525-100 S-525-150 S-525-200 S-525-300	Hand Pump Assy, 35:1 Ratio Hand Pump Assy, 60:1 Ratio Hand Pump Assy, 100:1 Ratio Hand Pump Assy, 150:1 Ratio Hand Pump Assy, 200:1 Ratio Hand Pump Assy, 300:1 Ratio	•	•	•	•	•	•
1	MS90726-115	Cap Screw, 1/2-20 x2 long	1	1	1	1	1	1
2	93776-1	Plain Nut, 1/2-20	1	1	1	1	1	1
3	S-525-3	Jam Nut, 2-18 NEF-3	1	1	1	1	1	1
4	79420-1	Poppet	2	2	2	1	1	1
4A	79550-8-1	O-Ring Packing	2	2	2			
5	88906	Body, Check Valve	2	2	2			
6	S-216-23	Spring	2	2	2			
7	91417-019	O-Ring Packing	2	2	2			
8	M77888	Liquid, Body (35:1)	1	} See Note 1				
9	S-216-10-35	Piston (35:1)	1					
10	MS28782-17	Retainer	1					
11	79550-17-1	O-Ring Packing, 90 Shore	1					
12	90098-35	Back-up Ring	1					
-	M77890-11	Piston and Body Assy (60:1)	} See Note 1	1				
8	M77888-1	Liquid Body		1				
9	S-216-10-60	Piston		1				
10	MS28782-14	Retainer, Packing, Teflon		1				
11	79550-14-1	O-Ring Packing, 90 Shore		1				
12	90098-60	Back-up Ring	1					
-	M77890-21	Piston and Body Assy (100:1)	} See Note 1		1			
8	M77888-2	Liquid Body		1				
9	S-216-11-100	Piston		1				
10	MS28782-12	Retainer, Packing, Teflon		1				
11	79550-12-1	O-Ring Packing, 90 Shore		1				
12	90098-100	Back-up Ring	1					

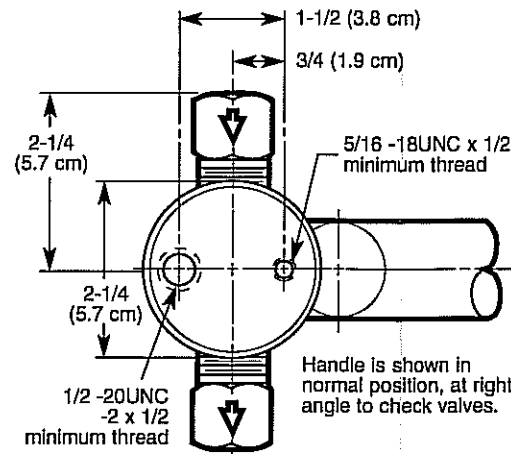
Parts List continued on back page.

**S-525 HYDRAULIC PUMP,
HAND OPERATED**



Handle is shown rotated 90° counterclockwise for clarity of assembly.

This cross sectioned view typical for -150, -200 and -300 assemblies.



ITEM NO.	PART NUMBER	PART NAME	PUMP MODEL DASH NUMBERS (quality required per assembly)					
			-35	-60	-100	-150	-200	-300
13	89297	Poppet				2	2	2
14	79550-5-1	O-Ring Packing, 90 Shore				2	2	2
15	89298	Body, Check Valve 1/4 NPT				1	1	1
15A	89298-1	Check Valve Body 9/16-18 NSB				1	1	1
16	S-216-63	Spring				2	2	2
17	S-216-28-10	Gasket				1	1	1
17A	S-216-28-8	Gasket				1	1	1
18	S-216-27-4	Seat (Outlet Check Valve only)				1	1	1
-	M77890-31	Piston and Body Assy (150:1)				1		
19	M77889-3	Liquid Body				1		
20	S-216-11-150	Piston				1		
21	90098-150	Back-up ring				1		
22	79550-10-1	O-Ring Packing, 90 Shore				1		
23	90098-150	Back-up Ring				1		
-	M77890-41	Piston and Body Assy (200:1)					1	
19	M77889	Liquid Body					1	
20	S-216-11-200	Piston					1	
21	MS28782-B	Retainer, Packing, Teflon					1	
22	79550-8-1	O-Ring Packing, 90 Shore					1	
23	90098-200	Back-up Ring					1	
-	M77890-51	Piston and Body Assy (300:1)						1
19	M77889-1	Liquid Body						1
20	S-216-11-300	Piston						1
21	MS28782-6	Retainer, Packing, Teflon						1
22	91417-011-1	O-Ring Packing, 90 Shore						1
23	90098-300	Back-up Ring						1
24	S-525-1	Pivot Post	1	1	1	1	1	1
25	B-113-060-1	Beam	1	1	1	1	1	1
26	MS51922-17	Self-Locking Nut, 3/16 - 16	1	1	1	1	1	1
27	92124-08B16Z	Cap Screw, 3/8-16 x 2 long	1	1	1	1	1	1
28	S-525-2	Adaptor	1	1	1	1	1	1
29	P75.57	Pin	1	1	1	1	1	1
30	80063-2	Nameplate	1	1	1	1	1	1
31	88094	Handle	1	1	1	1	1	1
32	81530-18	Handle Grip	1	1	1	1	1	1

NOTES:

1. Seal materials listed in the Parts List are Nitrile. Other seal materials, Neoprene, Viton and EPR are available. Specify seal material desired when ordering.

2. Overhaul Kits contain replacement parts including back-up rings, o-rings, gaskets, springs and seats.

- S-525-35.....90680-A1 kit
- S-525-60.....90680-B1 kit
- S-525-100.....90680-C1 kit
- S-525-150.....90680-D1001 kit
- S-525-200.....90680-E1 kit
- S-525-300.....90680-F1 kit

INSTALLATION

The pump has two threaded mounting holes provided on the underside of the liquid body.

For maximum performance, the -35, -60, and -100 pumps may be installed below or no more than two feet above the liquid source. The -150, -200 and -300 pumps must be installed with the pump inlet below the liquid source.

**S-525 HYDRAULIC PUMP,
HAND OPERATED**